

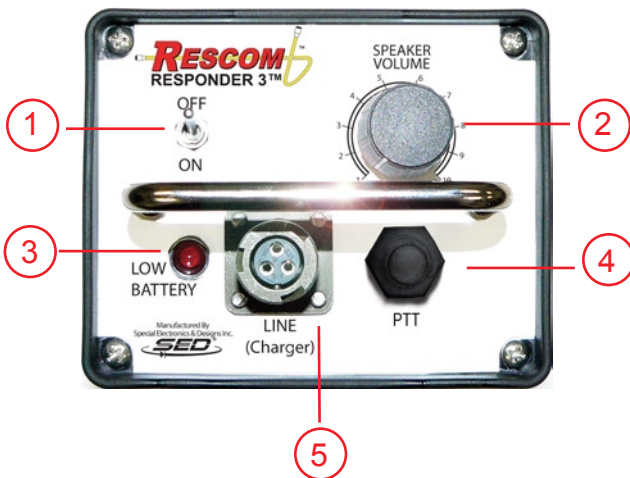


- ✓ **EASIER TO USE**
- ✓ **NEW RUGGED CONSTRUCTION**
- ✓ **IMPROVED MIC SENSITIVITY**
- ✓ **INCREASED SPEAKER VOLUME**
- ✓ **SINGLE SYSTEM JACK**

The Responder 3™ is an extension PA/Speaker and microphone for the Rescom® Hard line communication system. Simply connect the Responder 3™ to the Rescom® Modular System, to provide local monitoring of communications on the system. This device offers hands free audio to external parties. The microphone is activated only when it is needed by pushing the PTT button, to further reduce noise to the headset users.

The Responder 3™ contains its own batteries. It enables personnel to operate in a relatively low noise environment, in a non-teathered manner, to a distance of approximately 15m or 50' and without wearing headsets.

With a rugged water resistant construction, protected PTT button and Low Battery Indicator, this unit assists in many team based work environments and emergency situations. This unit connects to any Rescom® system, as an accessory.



\* Responder 3™ is pending Intrinsic Safety ratings. Rescom® Modular™ is an intrinsically safe system, but will not be rated intrinsically safe when connected to unrated products.

**1. Power Switch**

**2. Volume control**

Sets the overall audio level to the speaker.

**3. Battery Indicator Light**

Illuminates and provides audio indication when battery power is low, to those wearing headsets.

**4. Push-to-talk Button**

Push this button to activate the built-in microphone.

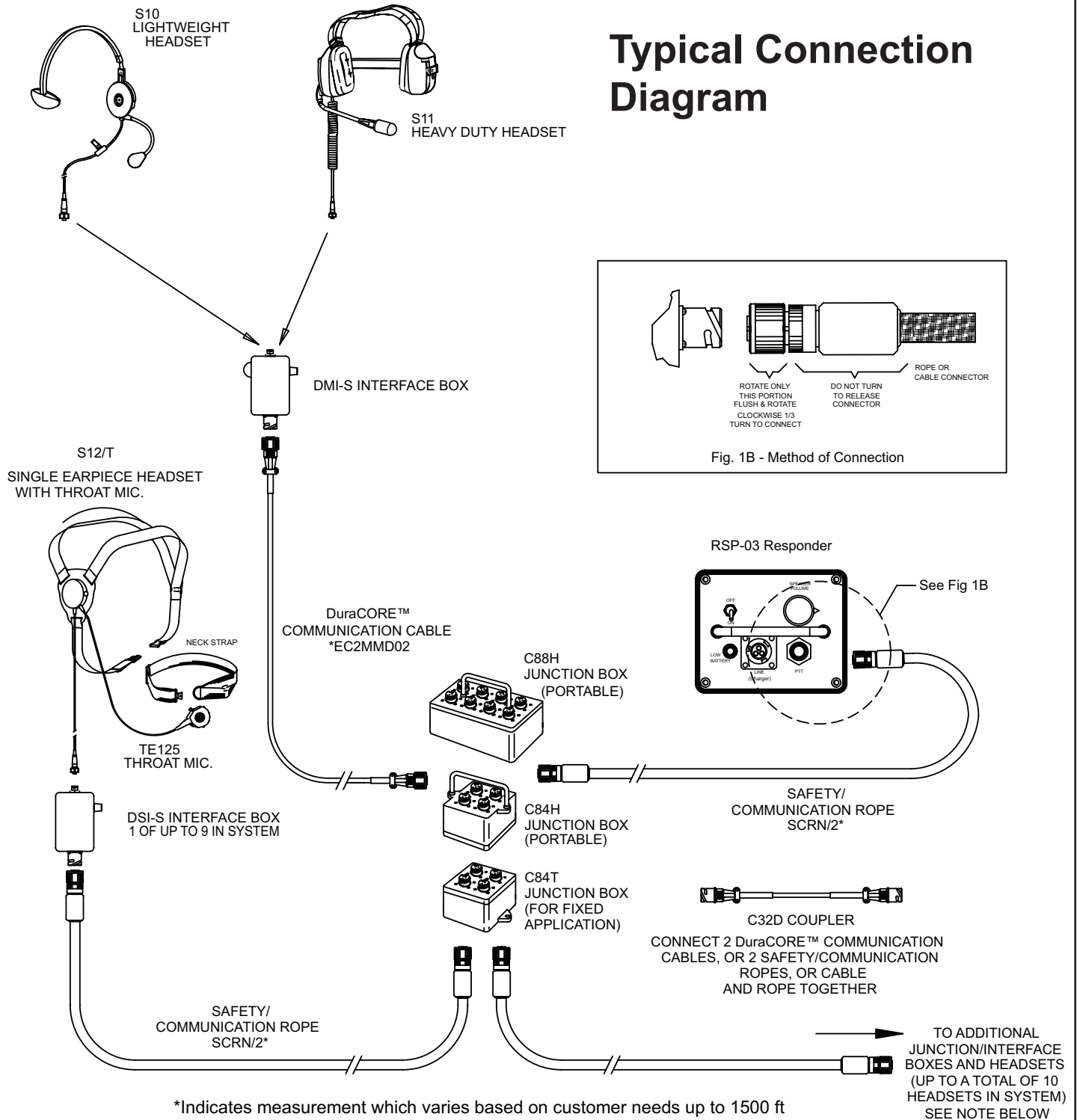
**5. Connection Jack**

Single twist connect jack for charging and cable connection. Secures cable at the top of the unit avoiding mess, insuring safety



Rescom® Modular™ 5 man system

# Typical Connection Diagram



**Note:** Use either Rescom's DuraCORE™ Communication Cable, or Rescom Safety/Communication Rope, or both. The Responder can be used with up to 9 DSI-S (non powered) headsets in a system. System consists of 1 DMI-S and up to 9 DSI-S headsets or 1 DMI-S and up to 8 DSI-S headsets and 1 RSP-03

For more information on any of these products, contact Rescom Sales Inc.